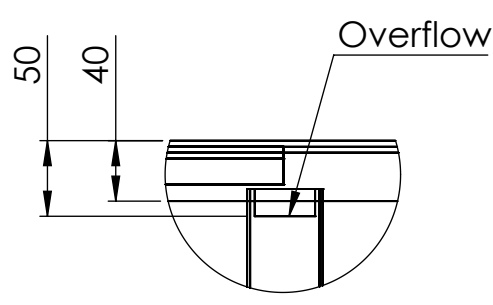
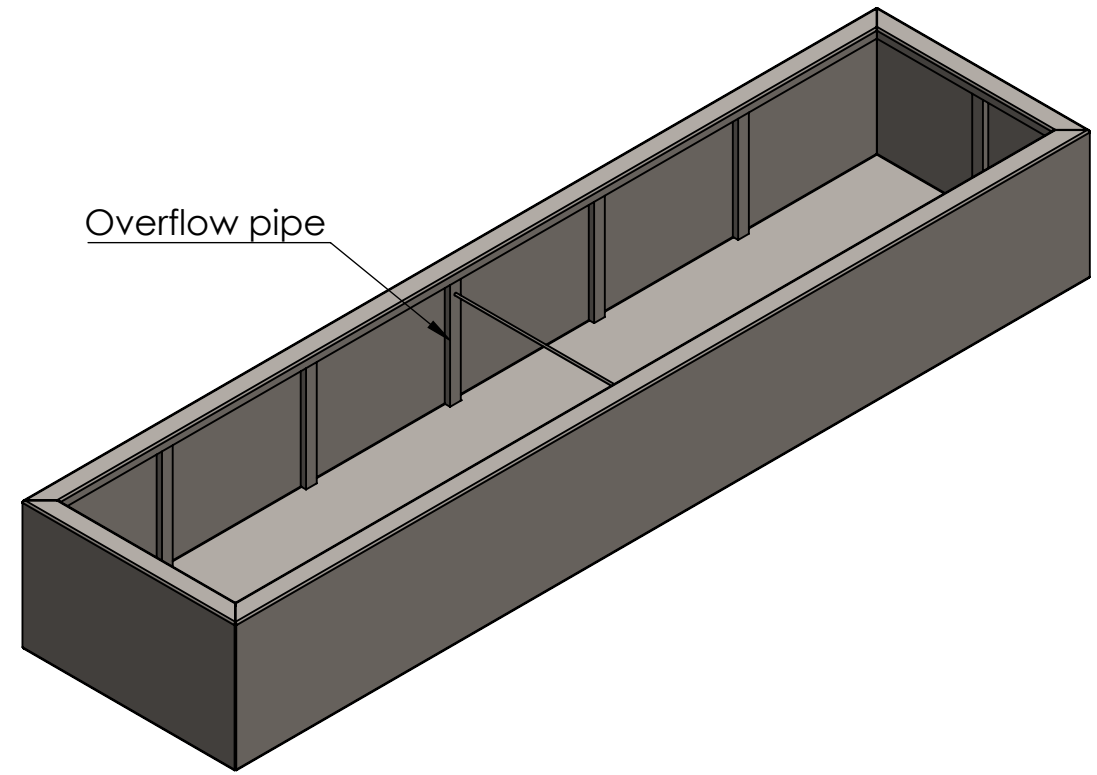


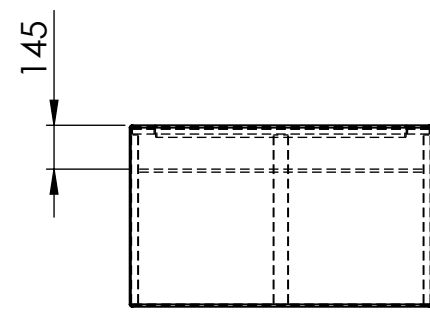
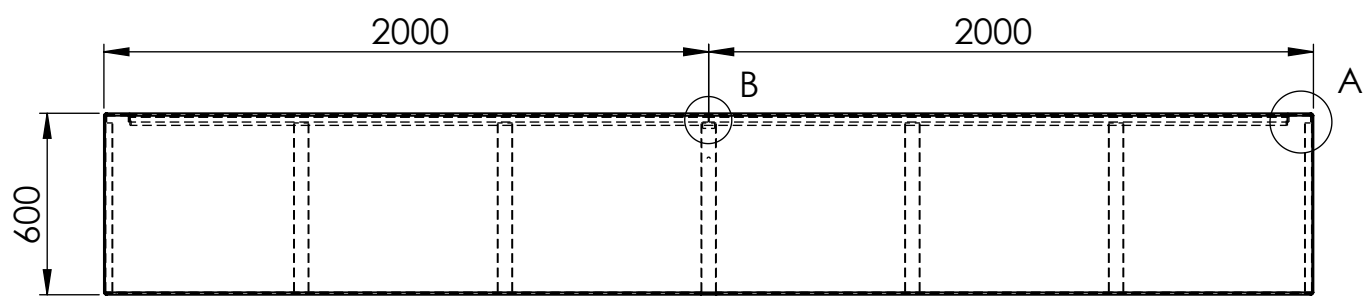
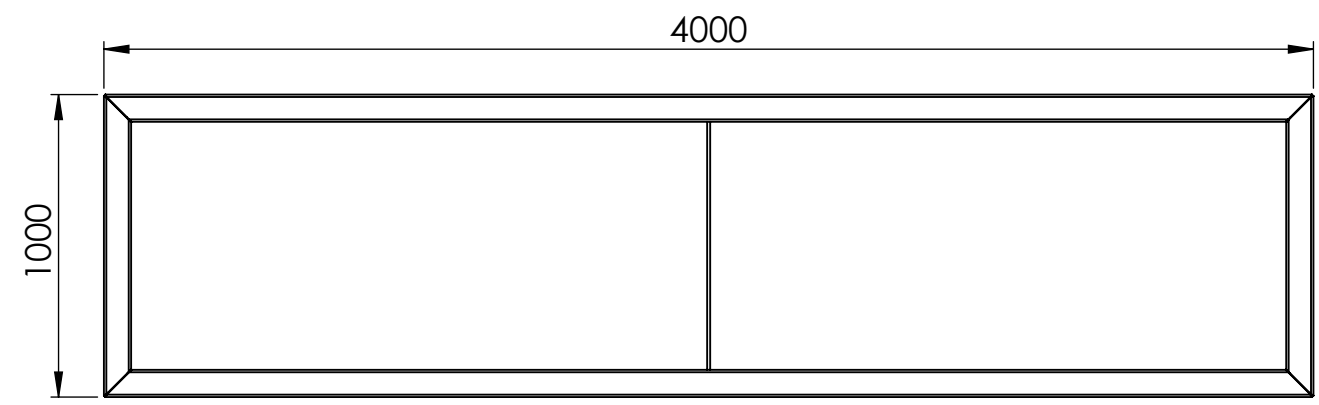
DETAIL A  
SCALE 1 : 5



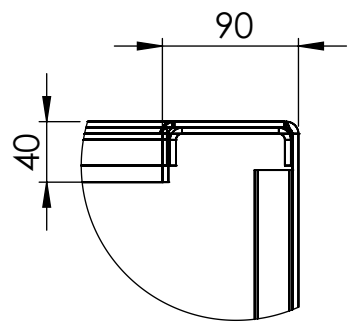
DETAIL B  
SCALE 1 : 5



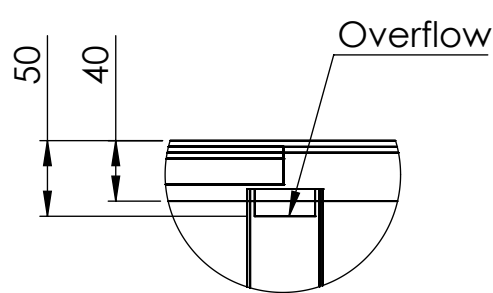
Overflow pipe



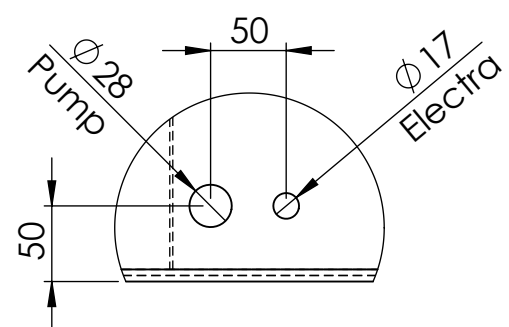
DRAWN	Luuk van den Heuvel	DATE	15-11-2023		TITLE:	
REVISION					4mm Aluminium	
				Liessentstraat 4, 5405 AG Uden (NL). t 0031 (0)413 - 27 41 68. e info@adezz.com, i www.adezz.com		Drawing:
Color: -				Mass (kg):	139.93	VA3__
				SCALE:1:25	SHEET 1 OF 14	
						A3



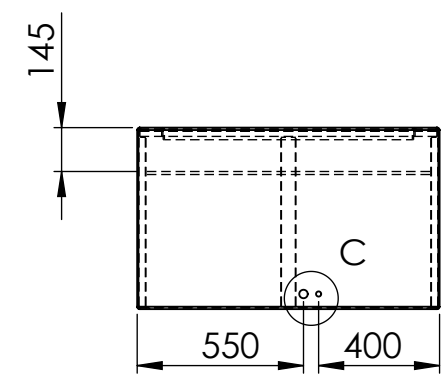
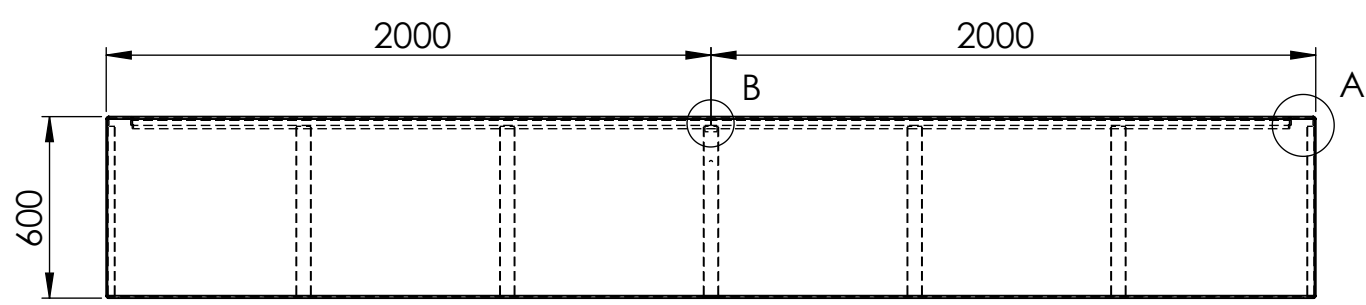
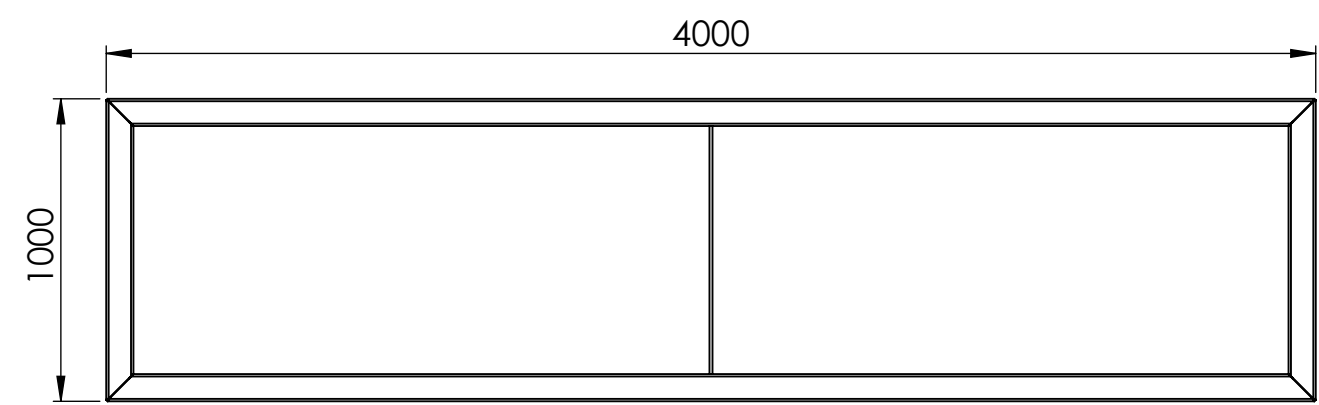
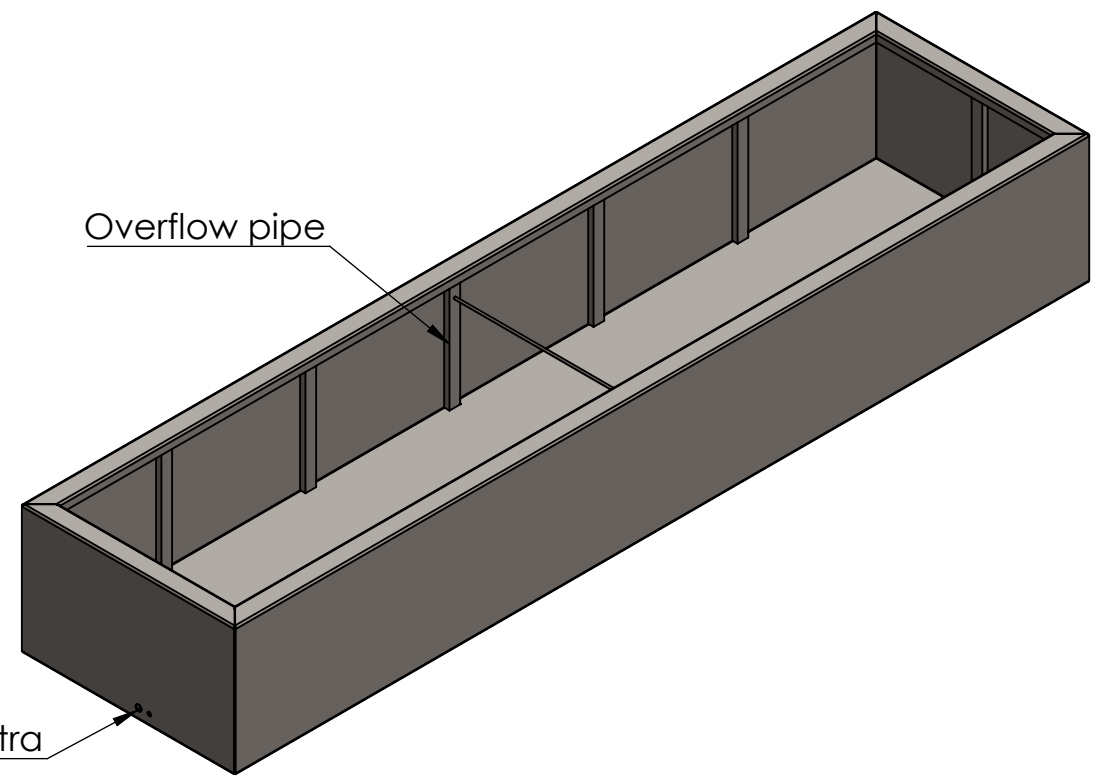
DETAIL A  
SCALE 1 : 5



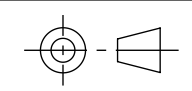
DETAIL B  
SCALE 1 : 5



DETAIL C  
SCALE 1 : 5



DRAWN	Luuk van den Heuvel	DATE	15-11-2023
REVISION			

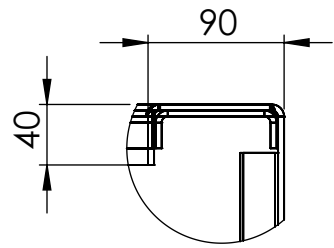


TITLE:	4mm Aluminium	
Drawing:	VA3_	A3

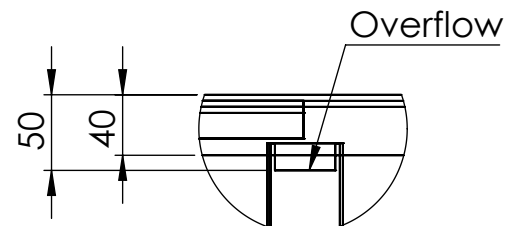
**ADEZZ**  
DESIGN TO GROW

Liessentstraat 4, 5405 AG Uden (NL).  
 † 0031 (0)413 - 27 41 68.  
 e info@adezz.com, i www.adezz.com

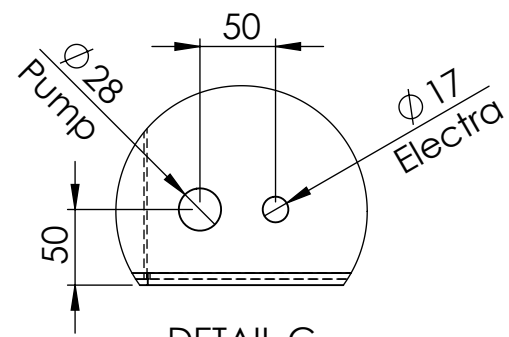
Color:	-	Mass (kg):	<b>139.92</b>	SCALE:1:25	SHEET 1 OF 14
--------	---	------------	---------------	------------	---------------



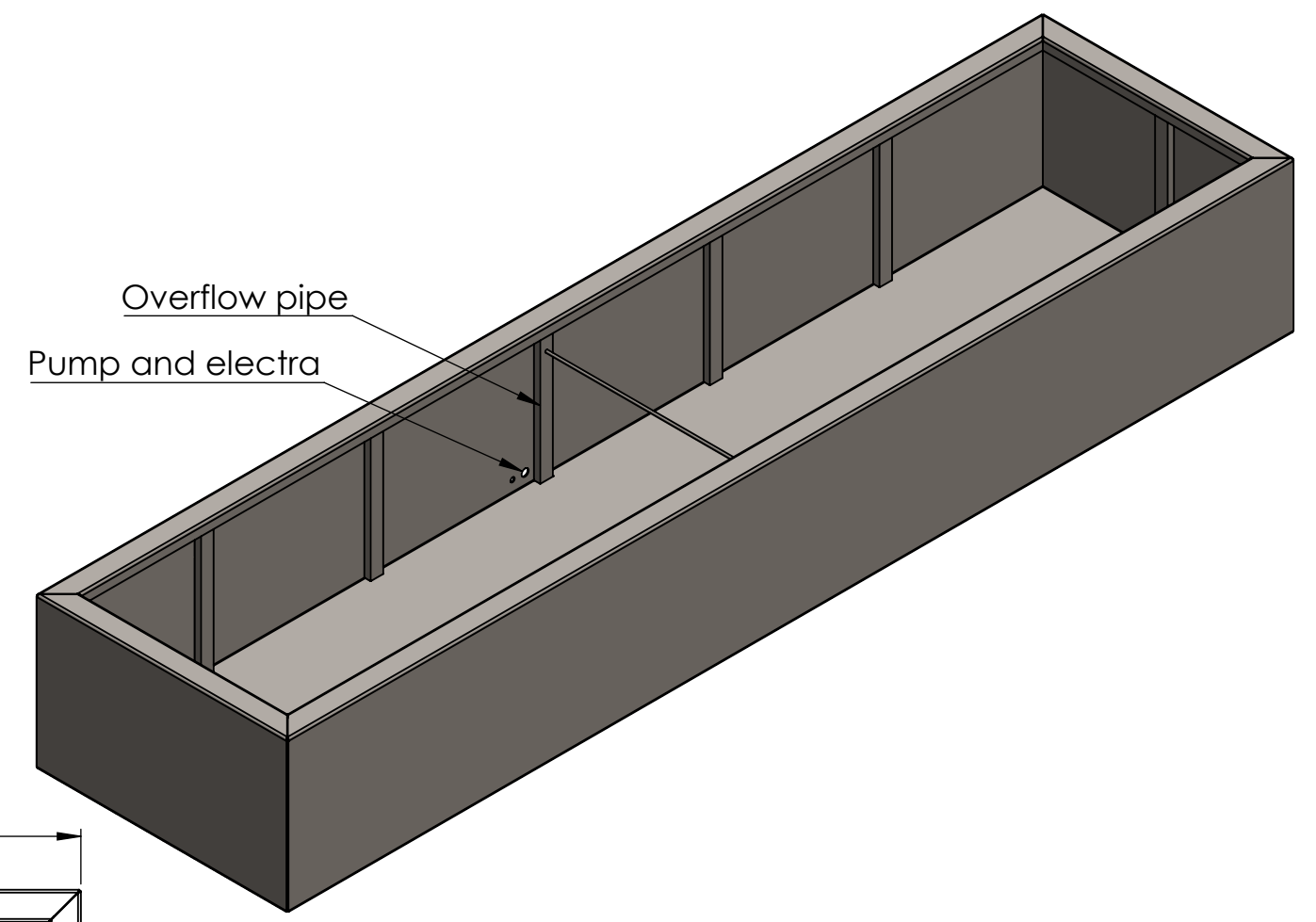
DETAIL A  
SCALE 1 : 5



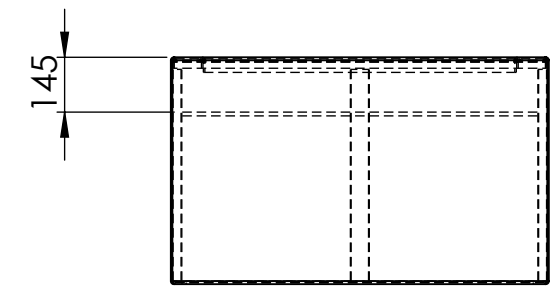
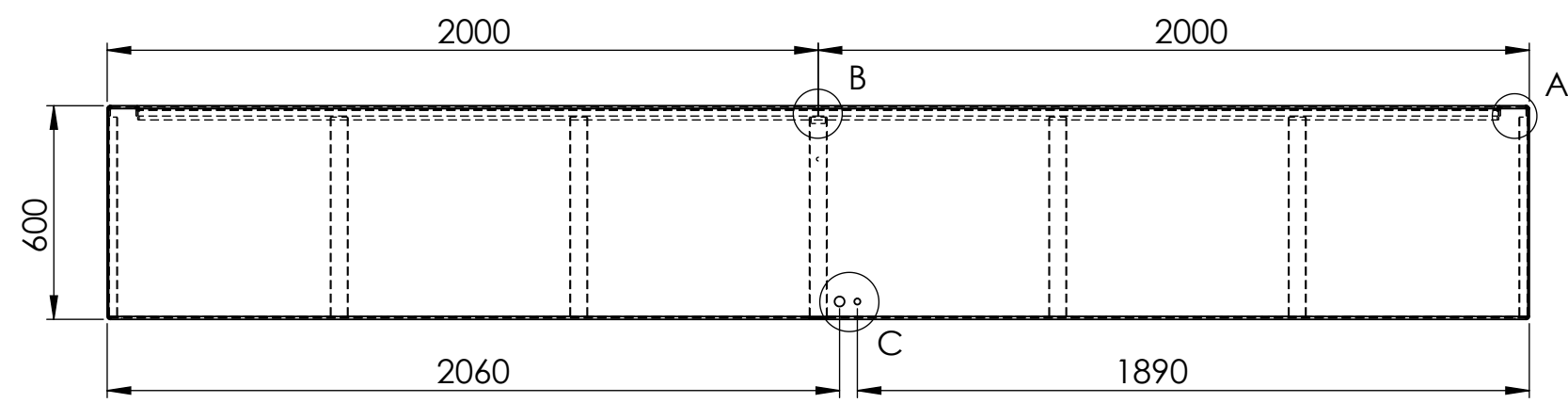
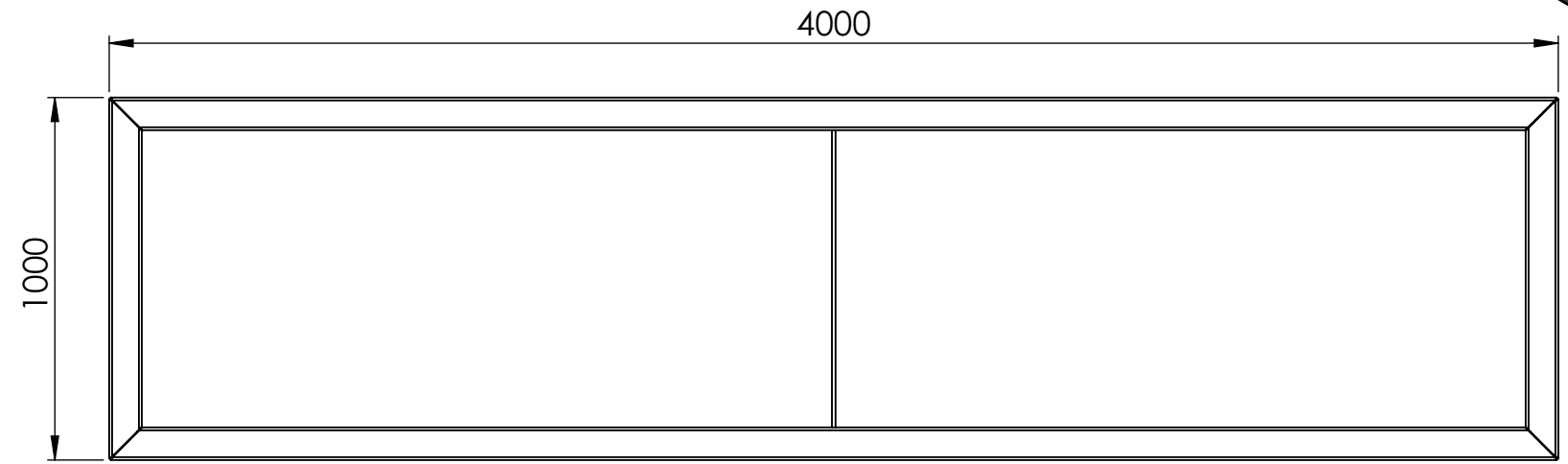
DETAIL B  
SCALE 1 : 5



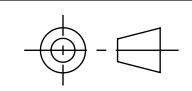
DETAIL C  
SCALE 1 : 5



Overflow pipe  
Pump and electra



DRAWN	Luuk van den Heuvel	DATE	15-11-2023
REVISION			



TITLE:  
**4mm Aluminium**

**ADEZZ**  
DESIGN TO GROW

Liessentstraat 4, 5405 AG Uden (NL).  
t 0031 (0)413 - 27 41 68.  
e info@adezz.com, i www.adezz.com

Drawing: **VA3\_** **A3**